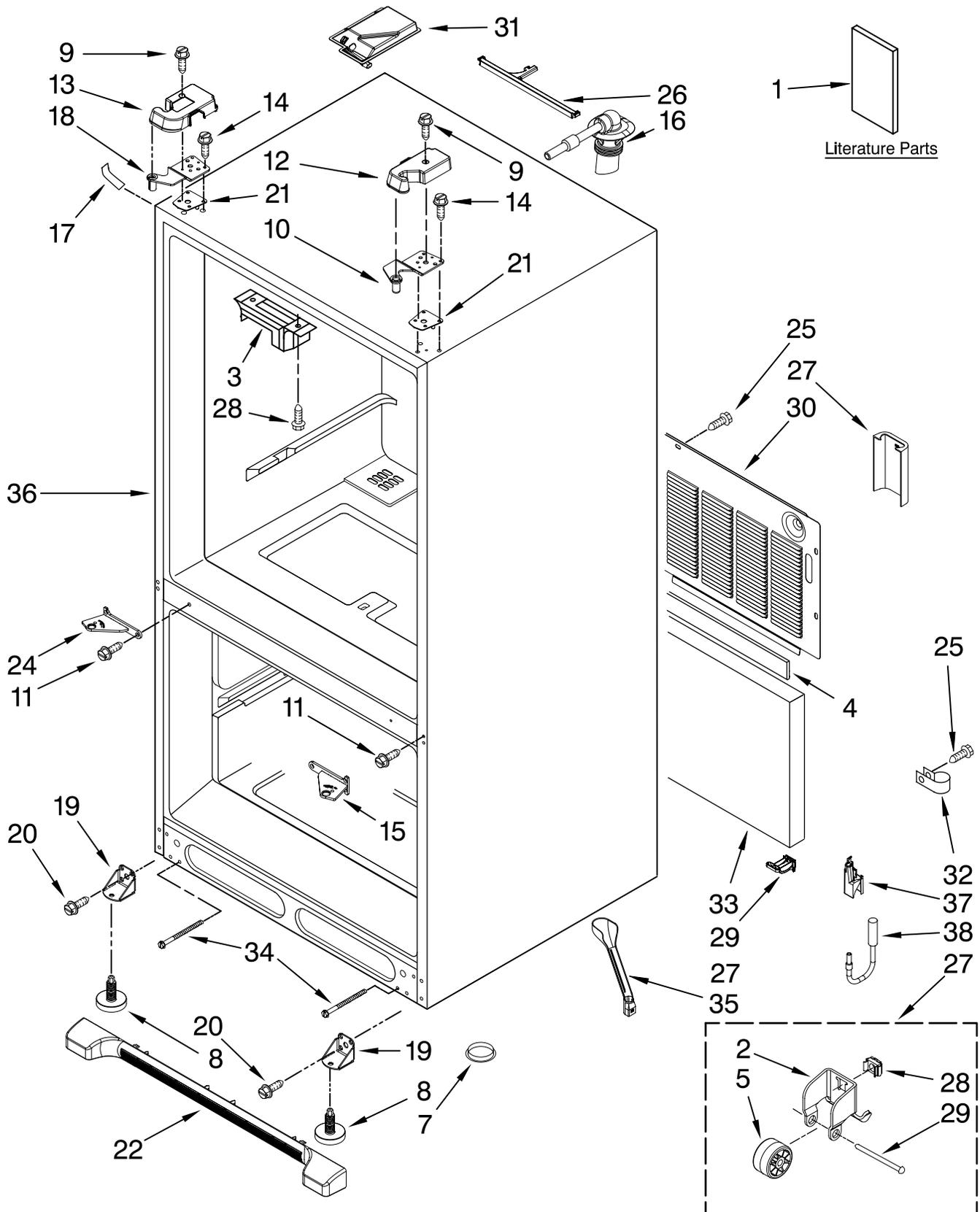




# CABINET PARTS

For Model: G17FVCXWY01  
(Monochromatic Stainless)

REFRIGERATOR



FOR ORDERING INFORMATION REFER TO PARTS PRICE LIST

# CABINET PARTS

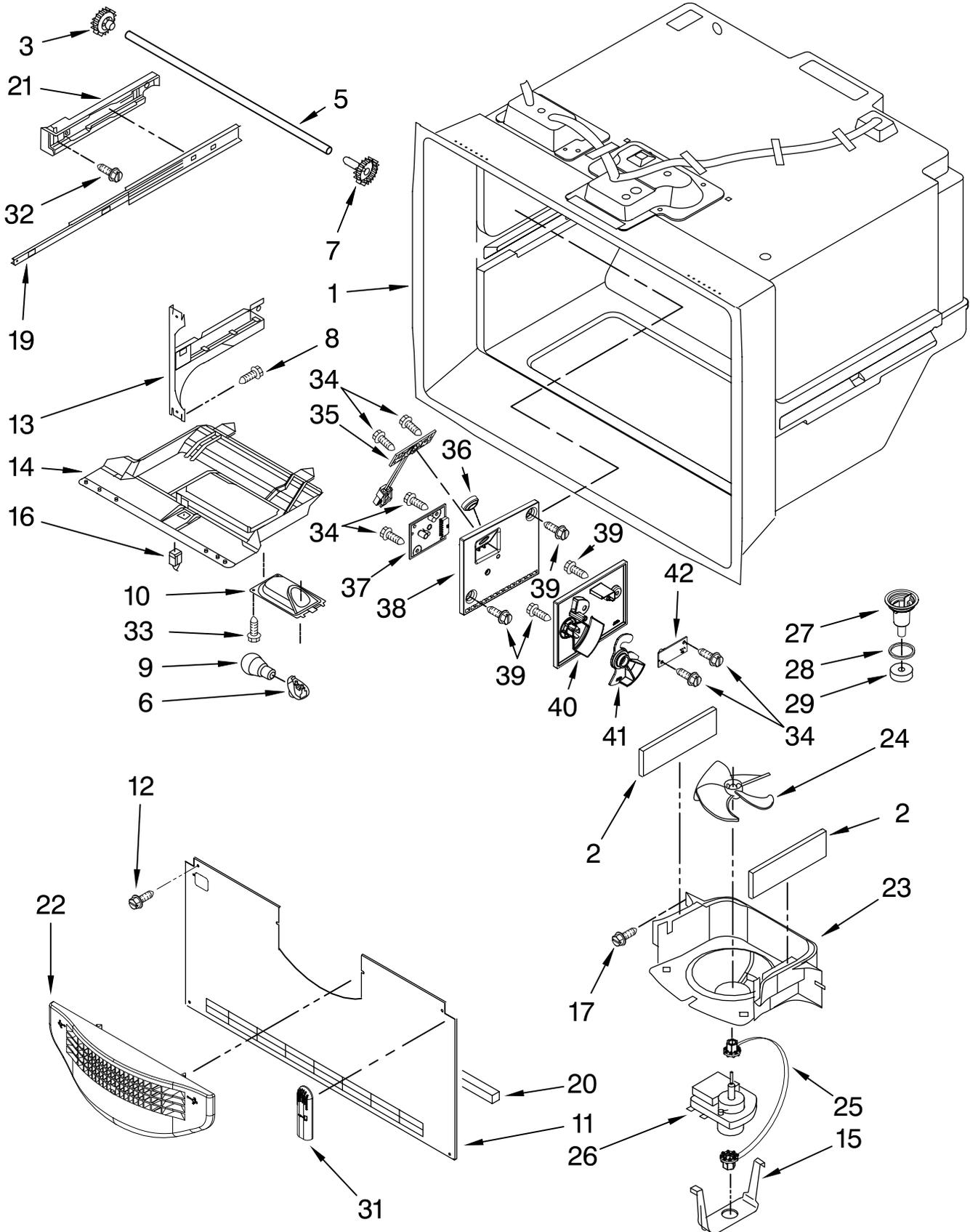
For Model: GI7FVCXWY01  
(Monochromatic Stainless)

Illus. No.	Part No.	DESCRIPTION
1		Literature Parts
	W10238852	Tech Sheet
	W10226405	Owners Manual
	W10276054	Tag, Energy
2	12456801V	Bracket
3	12698403	Block, Pivot
4	B5759655	Gasket
5	10450603V	Roller
7	A3076901	Plug, Button
8	10354002	Brake, Foot
9	12992602	Screw
10	12963205ED	Hinge, Top Right
11	12992201	Screw (6)
12		Cover, Right Hinge
	W10272998	Apollo Grey
13		Cover, Left Hinge
	W10272481	Apollo Grey
14	12992403	Screw (6)
15		Hinge, Center (RT)
	13000002AP	Apollo Grey
16	W10213219	Fill Tube, Icemaker
17		Cover, Corner (2)
	12587703AP	Apollo Grey
18	W10213415	Hinge, Top Left
19	12906303WD	Foot, Cabinet
20	12991302	Screw (8)
21		Shim, Hinge
	12999501	Left
	12999502	Right
22		Grille, Toe
	12880103AP	Apollo Grey
24		Hinge, Center (LT)
	13000001AP	Apollo Grey
25	12990511	Screw (10)
26		Cover, Water Line
	W10253811	Apollo Grey
27	12580304	Roller Bracket Assembly
28	M0286708V	Nut, Speed
29	M1205302V	Rivet
30	W10270394	Cover, Unit
31		Sump, Cabinet Top (Icemaker)
	W10237969	Apollo Grey
32	M0108107	Clamp, Tube
33	12820505	Insulation, Sound
34	12606103	Bolt, Roller Adjust
35	W10210988	Tube, Drain
36		Cabinet (Not a Servicable Part)
37	W10236761	Cover, Water Valve
38	W10223786	Waterline, Household

FOR ORDERING INFORMATION REFER TO PARTS PRICE LIST

# FREEZER LINER PARTS

For Model: GI7FVCXWY01  
(Monochromatic Stainless)



FOR ORDERING INFORMATION REFER TO PARTS PRICE LIST

# FREEZER LINER PARTS

For Model: GI7FVCXWY01  
(Monochromatic Stainless)

<u>Illus.</u> <u>No.</u>	<u>Part</u> <u>No.</u>	<u>DESCRIPTION</u>
1		Liner (Not A Seviceable Part)
2	A3189392	Gasket, Foam
3	12002497	Gear (Left) (Includes Item 7)
5	12812903WD	Shaft
6	12570701SP	Socket, Light
7	12002497	Gear (Right) (Includes Item 3)
8	12990521	Screw (8)
9	W10194422	Bulb, Light
10	12476401SP	Housing, Light
11	12935801	Cover, Evaporator
12	12990511	Screw (4)
13		Bracket, Door
	W10122147	Left
	W10122148	Right
14	13027902SP	Housing, Light
15	12956601	Clip, Evap Motor
16	12466111SP	Switch, Light
17	12990504	Screw (2)
19	W10120018	Slide, Door
20	A3189396	Gasket, Bottom
21		Adapter, Slide
	W10159938	Left
	W10159939	Right
22	12959901	Grille, Fz Air
23	12951401	Shroud, Evap Fan
24	12986101	Blade, Fan (Evaporator)
25	12951101	Grommet
26	W10252866	Motor, Evaporator
27	D7753903	Funnel, Drain
28	M0500703	Seal
29	B8381501	Gasket
31	12815301	Cover, Thermistor
32	12990501	Screw (6)
33	12991603V	Screw
34	12993001	Screw
35	W10231571	LED, Ice Bin
36	W10225288	Lens, Ice Bin LED
37	W10273549	Board, Receiver
38	W10251672	Cover, Receiver
39	3400065	Screw
40	W10199834	Cover, Emitter
41	W10211511	Shutoff, Emitter
42	W10180607	Board, Emitter

---

### Following Parts Not Illustrated

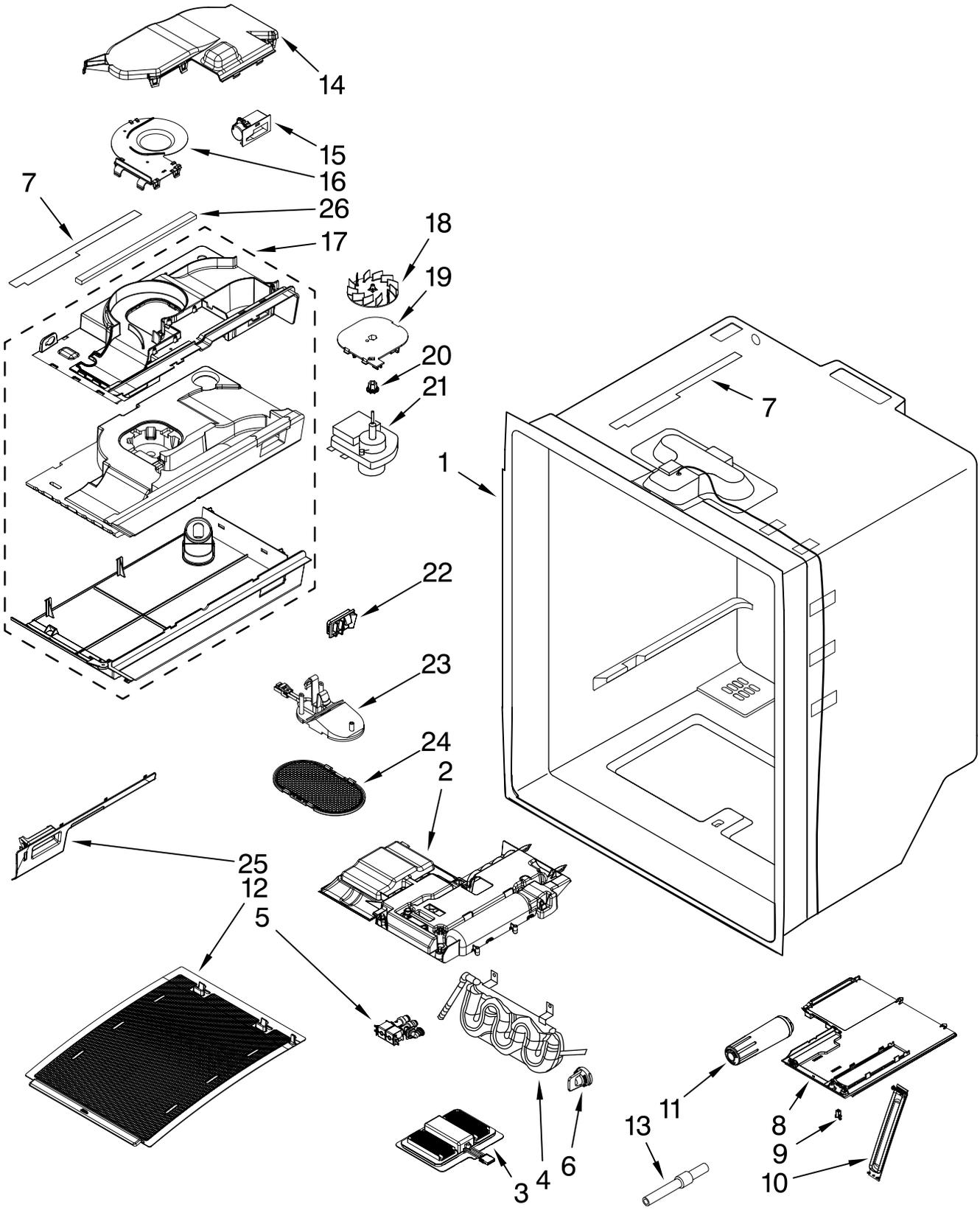
---

12952005SP	Harness, Fz Module (Includes Thermistor)
W10187117	Harness, Fountain Cavity

FOR ORDERING INFORMATION REFER TO PARTS PRICE LIST

# REFRIGERATOR LINER PARTS

For Model: GI7FVCXWY01  
(Monochromatic Stainless)



FOR ORDERING INFORMATION REFER TO PARTS PRICE LIST

# REFRIGERATOR LINER PARTS

For Model: GI7FVCXWY01  
(Monochromatic Stainless)

Illus. No.	Part No.	DESCRIPTION
1		Liner (Not A Serviceable Part)
2	W10214813	Bracket, Water System
3	W10223894	LEF Light Module
4	W10216070	Tank, Water
5	12956105	Valve, Dual Water
6	12664501SP	Cartridge, Bypass
7	W10218118	Gasket
8	W10215169	Cover, Water System
9	2223877	Latch, Push
10	W10213297	Door, Filter Access
11	UKF8001	Filter, Water
12	W10231377	Lens, Refrigerator LED
13	W10226186	Waterline, Valve to Hinge
14	W10194596	Duct, Scroll Inlet
15	W10247377	Damper, Electronic Control
16	W10194595	Plate, Scroll Inlet
17		Icebox Covers (Not Serviceable Order W10256944 Icebox Assembly)
18	W10123444K	Wheel, Impeller
19	W10194600	Bracket, Motor
20	12732801K	Grommet, Hex Fan
21	W10252866	Motor, Evap ECM
22	W10216534	Grille, Ref Air
23	W10223895	Module, LED Light, Auxiliary
24	W10237349	Lens, Icebox Cover LED
25	W10323795	Fascia Assembly (Includes Door, Switch, & Spring)
26	W10218116	Gasket
100	W10256944	Icebox Assembly, Complete

---

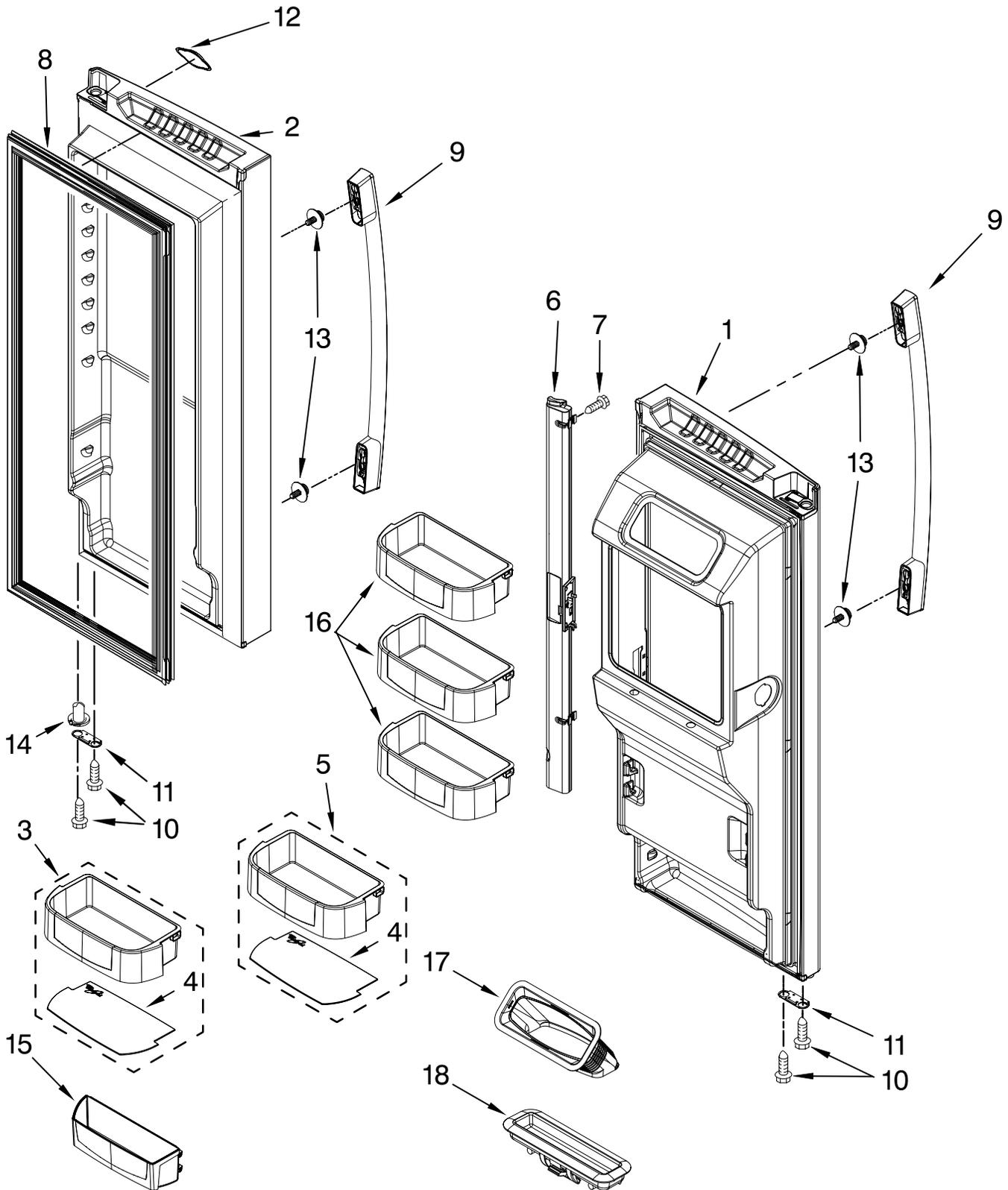
## Following Parts Not Illustrated

---

W10267346 Harness, RC Lights (Includes Thermistor)

# REFRIGERATOR DOOR PARTS

For Model: G17FVCXWY01  
(Monochromatic Stainless)



FOR ORDERING INFORMATION REFER TO PARTS PRICE LIST

# REFRIGERATOR DOOR PARTS

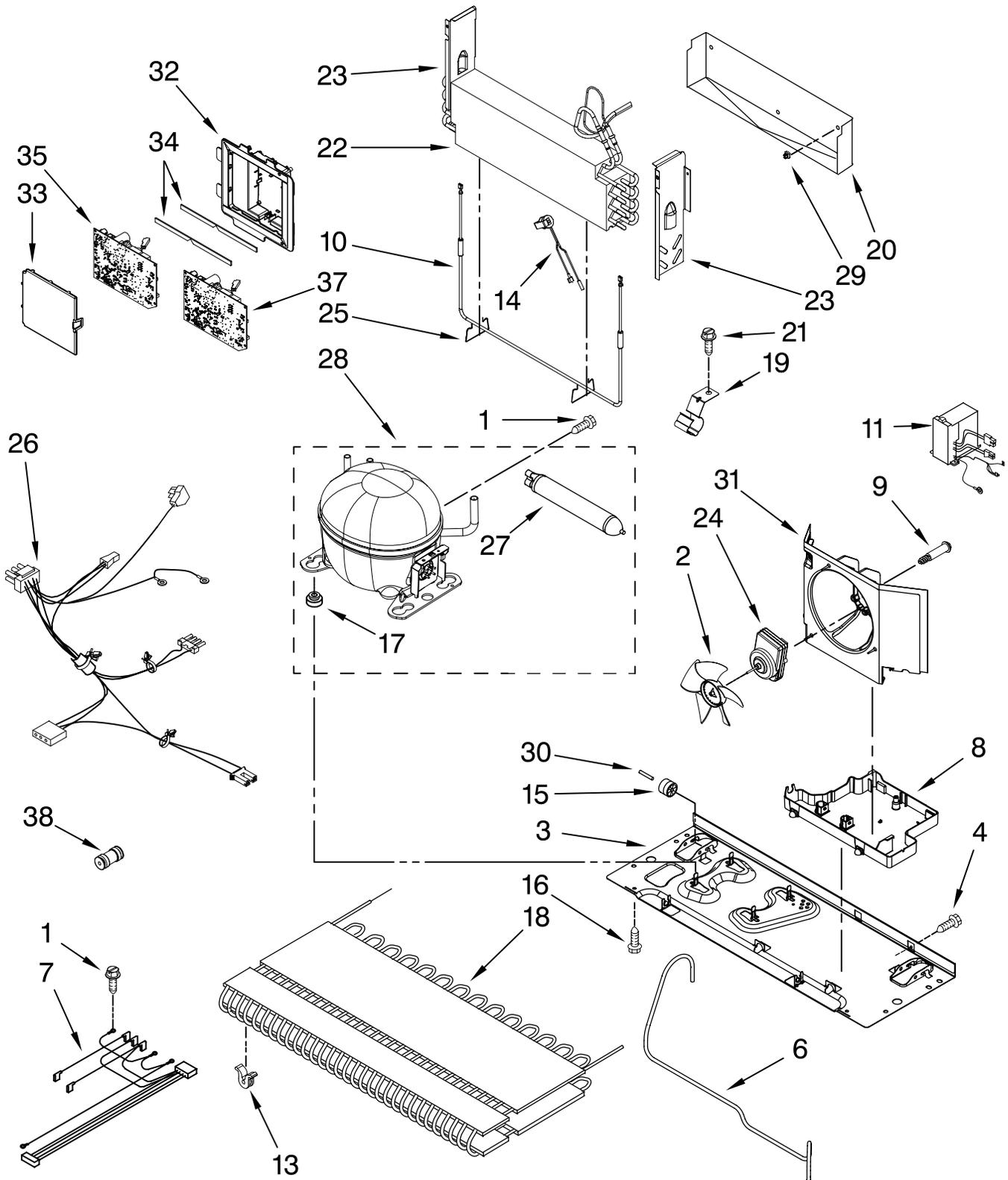
For Model: GI7FVCXWY01  
(Monochromatic Stainless)

<u>Illus.</u> <u>No.</u>	<u>Part</u> <u>No.</u>	<u>DESCRIPTION</u>
1		Door, Left
	13102607SQ	Stainless
2		Door, Right
	13102606SQ	Stainless
3	W10243069	Bucket, Door Gallon (RH) (Includes #4)
4	W10240011	Gripper, Gallon
5	W10243070	Bucket, Door Gallon (LH) (Includes #4)
6		Mullion, Door
	12722815AP	Apollo Grey
7	12990204	Screw
8		Gasket, Door
	W10163991	Apollo Grey
9		Handle, Door
	W10223019	Stainless
10	12990504	Screw
11		Stop, Door
	12968202AP	Apollo Grey
12	2220214	Nameplate
13	12992902	Mount, Handle
14		Closure, Door
	12028505AP	Apollo Grey
15	W10212139	Bucket, Small
16	W10237237	Bucket, Door Gallon (RH) (Without Gripper)
17	W10213592	Chute, Ice Door Opening
18	W10212141	Latch, Ice Bin

FOR ORDERING INFORMATION REFER TO PARTS PRICE LIST

# UNIT PARTS

For Model: GI7FVCXWY01  
(Monochromatic Stainless)



FOR ORDERING INFORMATION REFER TO PARTS PRICE LIST

# UNIT PARTS

For Model: GI7FVCXWY01  
(Monochromatic Stainless)

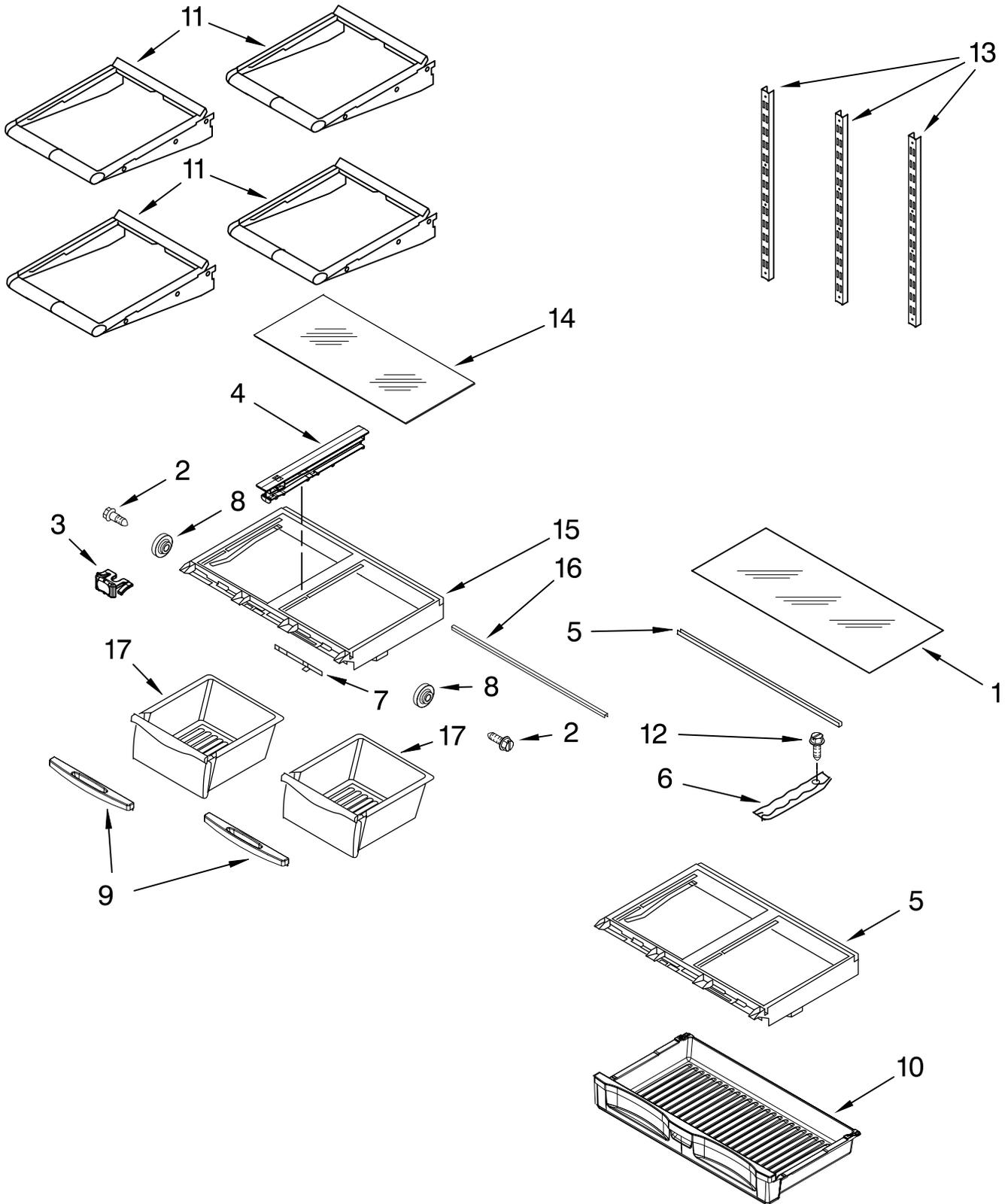
Illus. No.	Part No.	DESCRIPTION
1	12992301	Screw
2	12825803	Blade, Fan
3	W10210985	Basepan
4	12990511	Screw
6	W10242974	Tube, Discharge
7	W10180142	Harness, Evap. Heater
8	W10215085	Pan, Drain
9	W10216919	Screw, Shoulder
10	12729123	Heater, Defrost
11	W10186719	Box, Inverter
13	W10137529	Grommet, Cond (4)
14	12639311SP	Thermostat, Defrost
15	12477102	Roller (2)
16	12992101	Screw
17	10835903SP	Grommet (4)
18	W10135026	Condenser
19	10547003	Clip, Drier
20	12225403WD	Tray, Drip
21	12990701	Screw

Illus. No.	Part No.	DESCRIPTION
22	12959803	Evaporator
23		Dam
	12963102SP	Right Side
	12963002SP	Left Side
24	12825101	Motor, Fan
25	10428101	Clip, Heater
26	W10271463	Harness, Unit with Power Cord
27	W10143759	Drier
28	W10168473	Compressor (Includes items 11 and 27)
29	10623002	Clip, Evaporator
30	12477202	Axle, Roller (2)
31	W10189184	Shroud
32	W10159461	Box, HV Control
33	12957702	Lid, HV Box
34	12957801	Gasket, HV Box
35	W10267646	Board, Control (HV, Gemini)
37	W10226427	Power Supply
38	2209709	Connector, Water

Illus. No.	Part No.	DESCRIPTION
Following Parts Not Illustrated and Optional Parts Not Included		
	978025	Valve, Access (1/4")
	978026	Valve, Access (5/16")
	978027	Valve, Access (3/8")
	978028	Valve, Access (1/2")
	978029	Valve, Access (5/8")
	978030	Valve, Access (3/4")
	876764	Valve, Access (3/16")
<b>REFRIGERANT CHARGE</b>		
5.25 Ozs. (R-134A)		

# SHELF PARTS

For Model: GI7FVCXWY01  
(Monochromatic Stainless)



FOR ORDERING INFORMATION REFER TO PARTS PRICE LIST

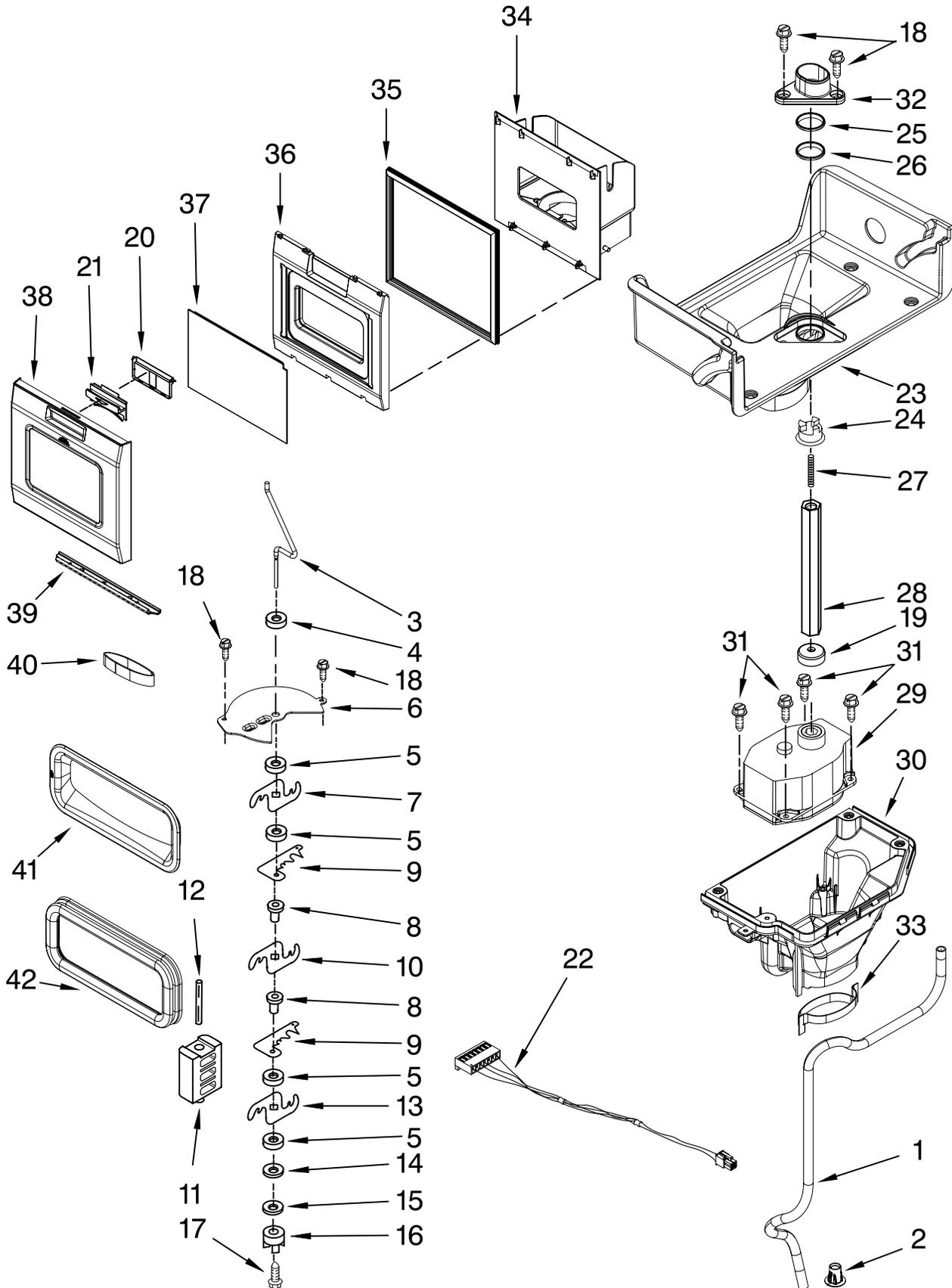
# SHELF PARTS

For Model: GI7FVCXWY01  
(Monochromatic Stainless)

<b>Illus.</b>	<b>Part</b>	
<b>No.</b>	<b>No.</b>	<b>DESCRIPTION</b>
1	12204826	Glass, Pantry
2	12991401	Screw
3	2223309	Knob, Humidity
4	W10209721	Frame, Crisper Center
5	W10245154	Frame, Pantry
6	12531901	Track, Pantry
7	W10141530	Slide, Humidity
8	12756701	Roller, Crisper Frame
9	W10141531	Handle, Crisper
10	W10192877	Drawer, Pantry
11	12883509	Shelf, Glide (4)
12	12990513	Screw
13	W10214511	Ladder (3)
14	12204826	Glass, Crisper
15	W10209720	Frame, Crisper
16	W10119258	Brace, Crisper
17	W10141529	Pan, Crisper (2)

# MOTOR AND ICE CONTAINER PARTS

For Model: GI7FVCXWY01  
(Monochromatic Stainless)



FOR ORDERING INFORMATION REFER TO PARTS PRICE LIST

# MOTOR AND ICE CONTAINER PARTS

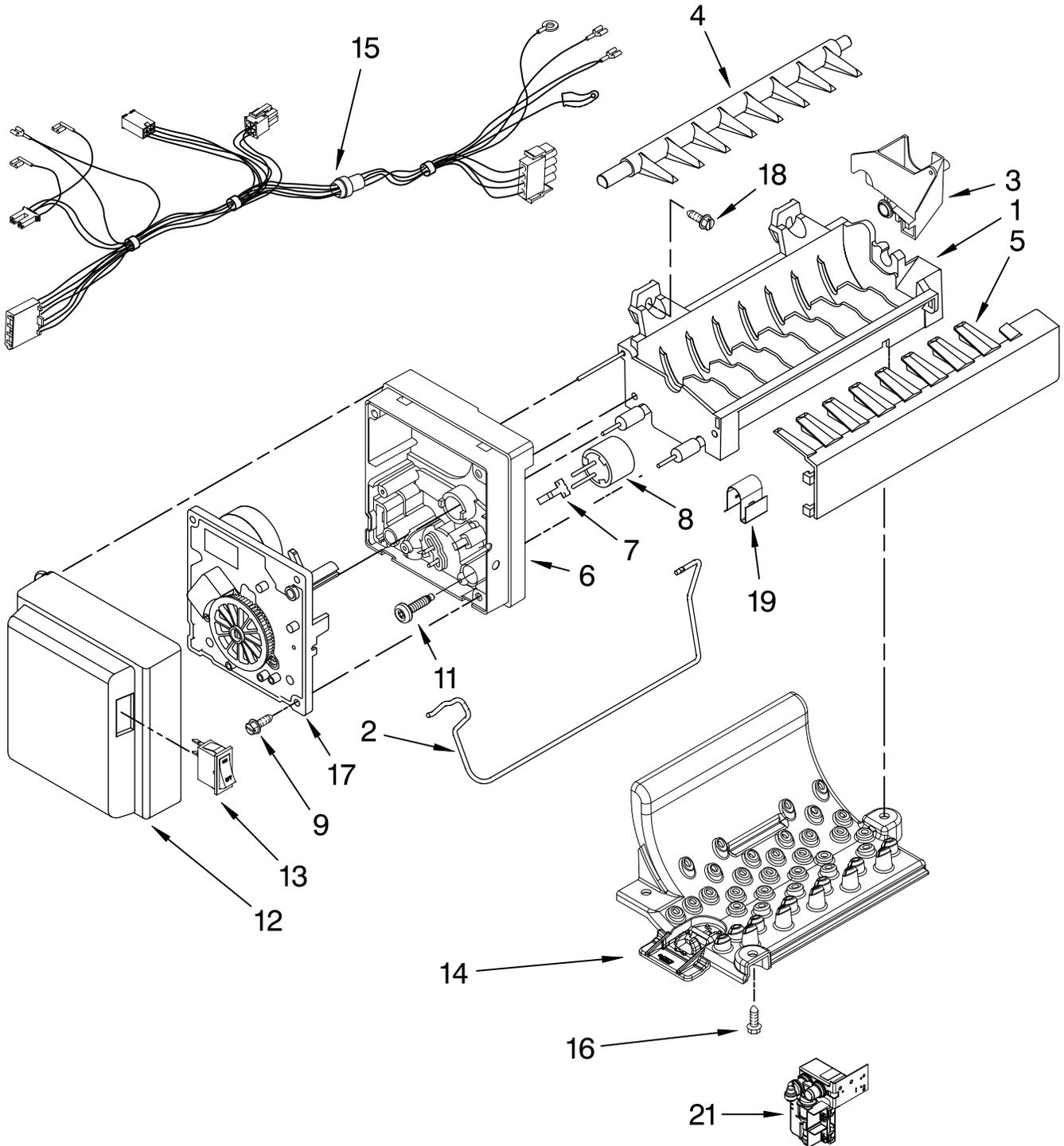
For Model: GI7FVCXWY01  
(Monochromatic Stainless)

Illus. No.	Part No.	DESCRIPTION
1	W10245518	Tube, Drain
2	W10245516	Clip, Drain Tube
3	W10178230	Auger, Crusher
4	2258220	Washer, Auger
5	W10189658	Spacer, Flat (4)
6	W10178232	Cover, Crusher
7	2257024	Blade, Rotary
8	W10189661	Spacer, Step (2)
9	2257020	Blade, Fixed
10	2257023	Blade, Rotary
11	W10178238	Blade, Block
12	W10166878	Rollpin
13	2257022	Blade, Rotary
14	489235	Washer, Plain
15	2198661	Washer, Coupling
16	2220457	Coupling
17	8281164	Screw
18	3400065	Screw
19	2323357	Grommet, Drive Shaft
20	W10215692	Cover, Latch
21	W10247077	Spring, Latch
22	W10185589	Harness, Dispenser Motor
23	W10276436	Cover, Mounting Plate
24	2220458	Coupling, Bottom
25	2198628	Seal
26	2212370	Washer
27	2198607	Spring
28	W10258592	Shaft, Motor
29	2323603	Motor, Dispenser
30	W10245601	Housing, Auger Motor
31	8281163	Screw
32	W10218551	Clip, Shaft
33	W10247398	Gasket, Motor Box
34	W10213606	Container, Ice
35	W10178224	Gasket, Ice Container
36	W10213615	EPS, Ice Container
37	W10218689	Window, Ice Container
38	W10277106	Front, Ice Container
39	W10248280	Hinge, Ice Bucket
40	W10166865	Gasket, Chute
41	W10247763	Seal, Ice Door
42	W10247668	Gasket, Ice Chute
100	W10277159	Container, Ice (Complete)

FOR ORDERING INFORMATION REFER TO PARTS PRICE LIST

# ICEMAKER PARTS

For Model: GI7FVCXWY01  
(Monochromatic Stainless)



FOR ORDERING INFORMATION REFER TO PARTS PRICE LIST

# ICEMAKER PARTS

For Model: GI7FVCXWY01  
(Monochromatic Stainless)

<b>Illus. No.</b>	<b>Part No.</b>	<b>DESCRIPTION</b>
1	W10161596	Mold & Heater Assembly (Also Order 542638 Grease)
2	W10175514	Arm, Shutoff
3	W10160726	Cup, Fill
4	W10136605	Ejector
5	W10267602	Ice Stripper
6	2194712	Support, Housing
7	2315522	Retainer, Thermostat
8	628397	Thermostat (Also Order 542369 Cement)
9	489464	Screw (3)
11	8533917	Screw (2)
12	W10212429	Cover
13	W10212431	Switch, On-Off
14	W10194598	Duct, Impinger Top
15	W10249475	Harness, Icemaker
16	12990511K	Screw, Impinger
17	626691	Module Assembly
18	489276	Screw (3)
19	628379	Clip
21	W10270395	Valve, Smart
100	W10122559	Icemaker Assembly

---

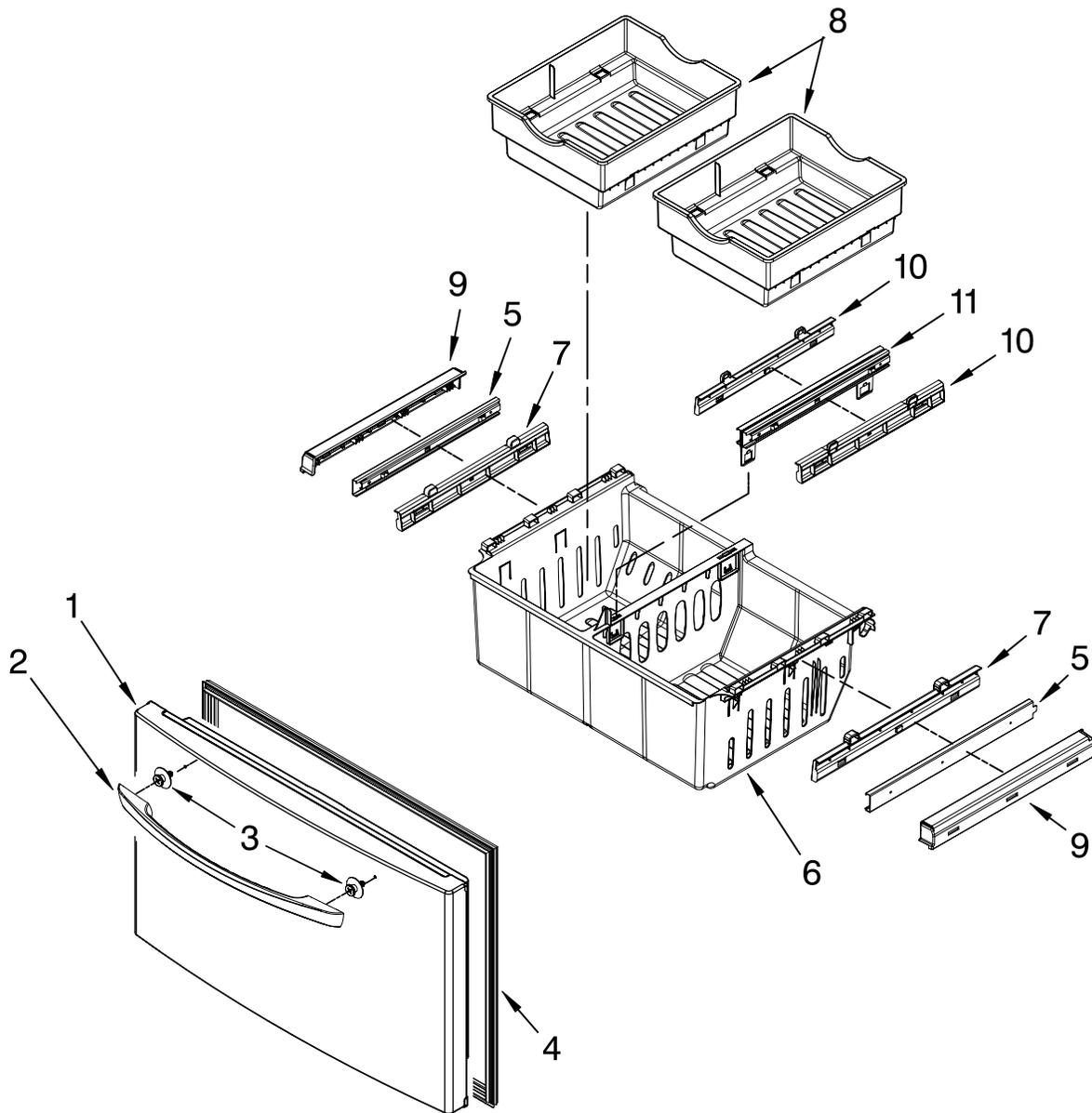
## Following Parts Not Illustrated

---

10244904 Coupling

# FREEZER DOOR PARTS

For Model: GI7FVCXWY01  
(Monochromatic Stainless)

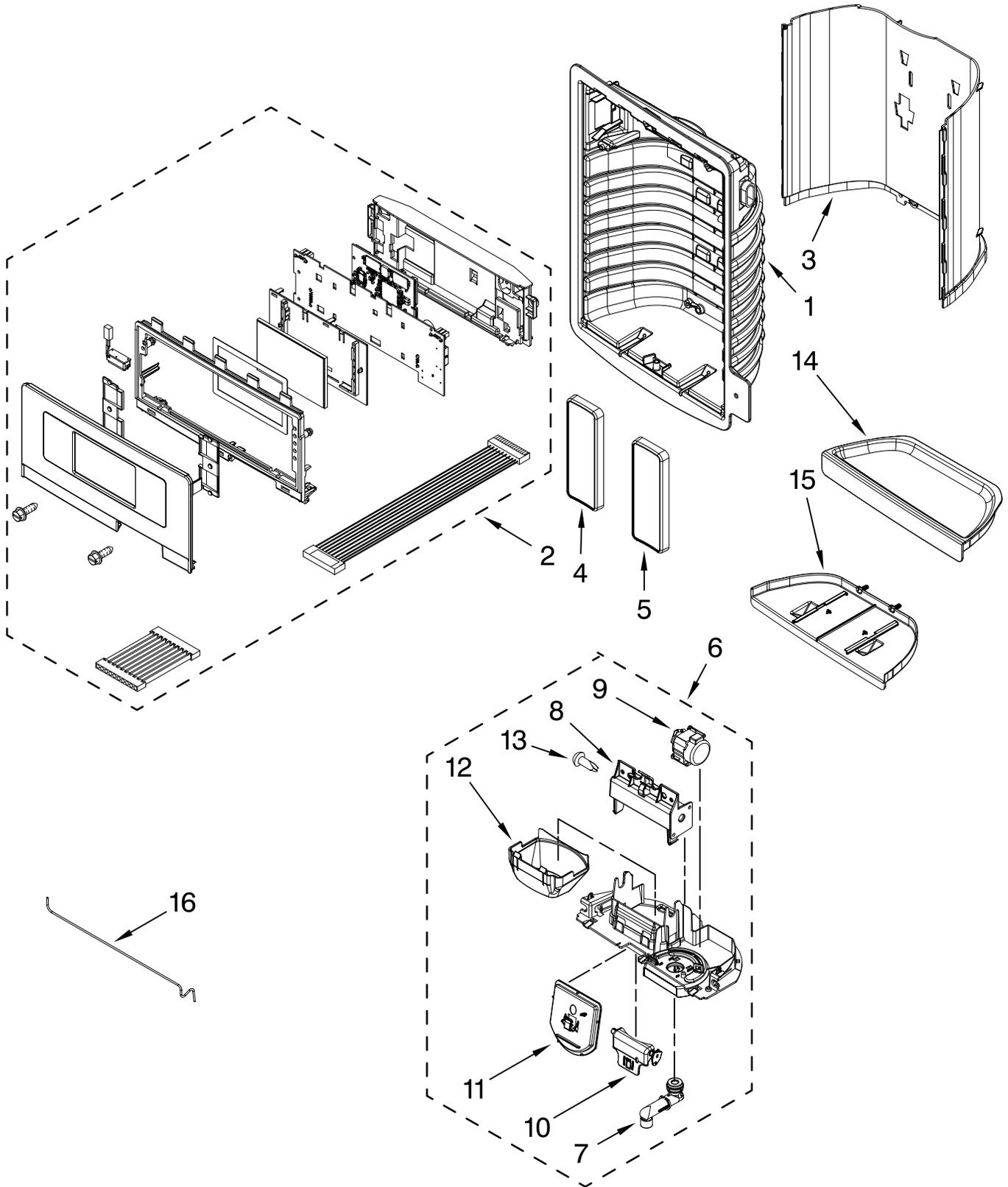


Illus. No.	Part No.	DESCRIPTION	Illus. No.	Part No.	DESCRIPTION	Illus. No.	Part No.	DESCRIPTION
1	12977831SQ	Freezer Door Stainless	4	W10164045	Gasket, Door Apollo Grey	9	12925501SP	Retainer, Glide Left
2	W10223025	Handle, Door Stainless	5	12925101	Glide, Upper	10	12925502SP	Right
3	12992902	Screw, Handle	6	12924801SP	Bin, Lower	10	12925404SP	Adapter, Bin (Inner)
			7	12925403SP	Adapter, Bin (Outer)	11	12969701	Bracket/Glide Assembly
			8	12924903	Bin, Upper			

FOR ORDERING INFORMATION REFER TO PARTS PRICE LIST

# DISPENSER FRONT PARTS

For Model: GI7FVCXWY01  
(Monochromatic Stainless)



FOR ORDERING INFORMATION REFER TO PARTS PRICE LIST

# DISPENSER FRONT PARTS

For Model: GI7FVCXWY01  
(Monochromatic Stainless)

<b>Illus. No.</b>	<b>Part No.</b>	<b>DESCRIPTION</b>
1		Housing, Dispenser (Not Serviced)
2		UI Assembly
	W10271910	Satina
3		False Wall, Dispenser
	W10268792	Stainless
4		Pad, Ice
	W10212876	Nickel
5		Pad, Water
	W10212881	Nickel
6		Separator Assembly
	W10215954	Stainless
7	2316647	Spigot
8	W10174827	Bracket, Ice Door
9	W10205979	Motor, Ice Door
10	W10174809	Support, Ice Door
11	W10174811	Door, Ice
12	W10277159	Guide, Ice
13	4449745	Screw
14		Tray, Dispenser
	W10267864	Stainless
15		Slide, Tray Dispenser
	W10267863	Apollo Grey
16	W10180827	Tube, Water (Dispenser)

FOR ORDERING INFORMATION REFER TO PARTS PRICE LIST

# OPTIONAL PARTS (NOT INCLUDED)

For Model: GI7FVCXWY01  
(Monochromatic Stainless)

<b>Illus. No.</b>	<b>Part No.</b>	<b>DESCRIPTION</b>
-------------------	-----------------	--------------------

## Miscellaneous

	212643	Sealer, Gum (4 Feet)
	479502	Tape, Vinyl (3/4 x 108")
	876370	Kit, Insulation (2 Pcs. x 3" x 24" X 48")
	876305	Kit, Insulation (14 Pcs. x 3" x 24" x 48")
	978941	Insulation, Fiberglass (63-1/2" x 35-1/2" X 2-5/8)
	876029	Kit, Foam Slab (30" x 32-1/2" x 1-1/2")
	505587	Sealer, Mastic (1 Qt.)
	503695	Cork, Sealer (1/4 Pound)
20000008		Cleaner, Stnls Steel Magic
	542638	Grease, Silicone (1/2 Oz.)
	542639	Cement, Alumilastic (1-1/4 Oz.)
	606755	Bag, Insulation (36-5/8" x 46")
	799833	Kit, Evaporator Repair (Aluminum Epoxy)
	833938	Kit, Terminal Connector

## TORX SCREW WRENCH

1117510 Torx Key

FOR ORDERING INFORMATION REFER TO PARTS PRICE LIST